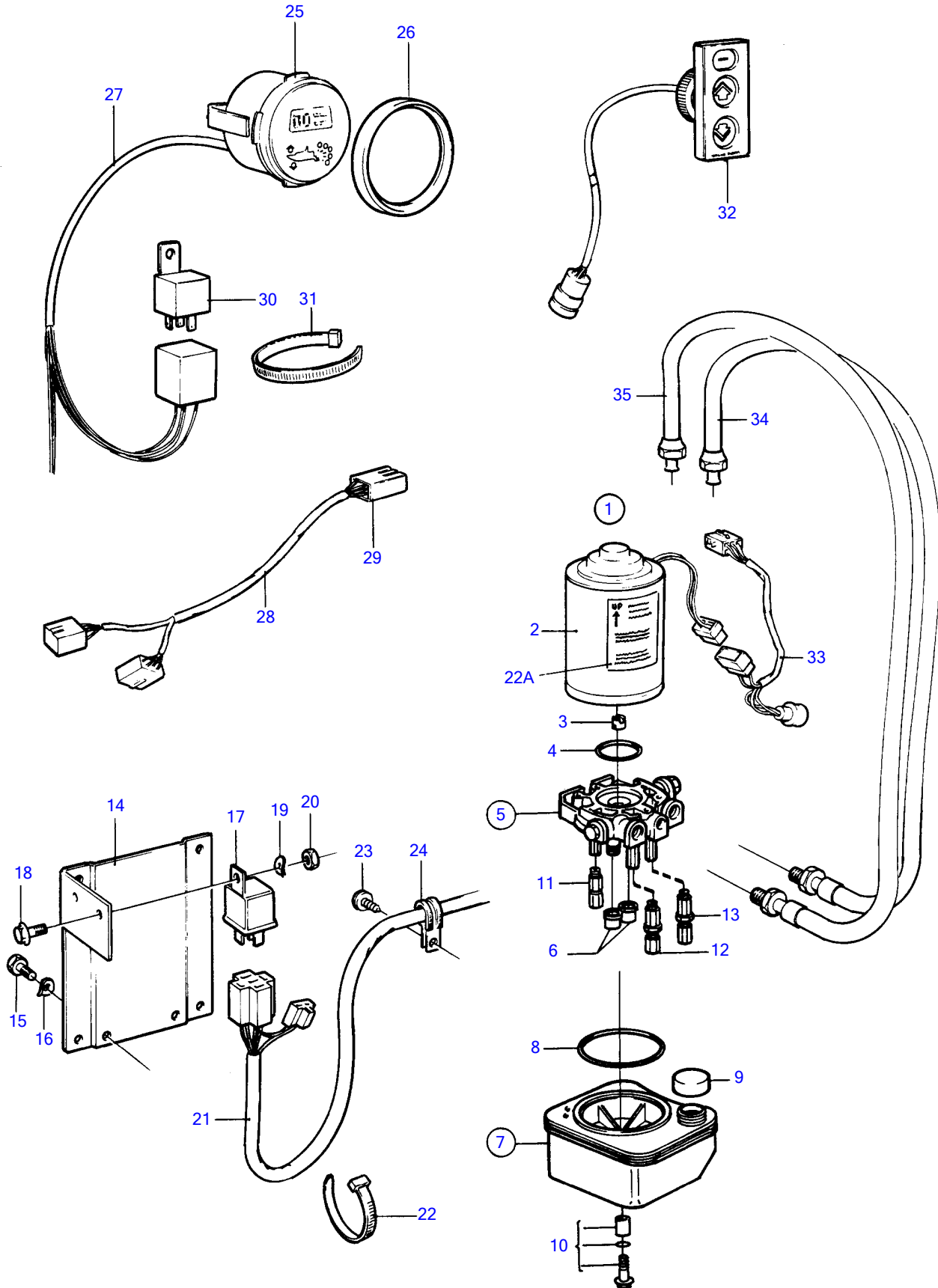


KAD42A



KAD42A

REF	PART NO.	QTY	DESCRIPTION	SEE SEC.	NOTES
1	872449	1	Hydraulic pump		
2	854525	1	Electrical motor		
3	854526	1	• Clutch		
4	854527	1	• O-ring		
5	(854528)	1	Valve housing		Obsolete part
6	854530	2	• Filter		
7	854531	1	Reservoir		
8	854532	1	• O-ring		
9	854533	1	• Cover		
10	854534	1	• Small parts kit		
11	854535	1	Hydraulic pump		
12	854536	1	High pressure unit		
13	854537	1	Pressure box		
14	854438	1	Bracket		
15	970945	2	Hexagon screw		
16	941908	2	Spring washer		
17	854357	2	Relay		
18	948663	2	Flange screw		
19	941905	2	Spring washer		
20	955780	2	Hexagon nut		
21		X	cables and terminals		See group 3
22	948210	1	Cable tie		
22A	853097	1	Sign		
23	952630	4	• Clamp		
24	955138	4	• Cross recessed screw		
25	872498	1	Trimmer		
26	858643	1	Front ring		
27	856821	1	Cable kit		
28	853066	1	Cable trunk		For dual station.
29		X	• cables and terminals		See group 3
30	872300	2	Relay		12V 30A
31	949666	X	Cable tie		
32	853846	1	Control panel		
33	853032	1	Cable trunk		
	948294	X	• Housing		9-pol
	965822	X	• Cable terminal		3,5X1X2,5
	(853498)	X	• Anode kit		3-pol, Obsolete part
	853521	X	• Cable terminal		For853498
34	854700	1	Hydraulic hose	20732	
35	854701	1	Hydraulic hose	20732	